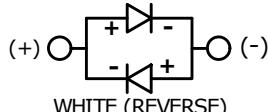


WHITE (FORWARD)



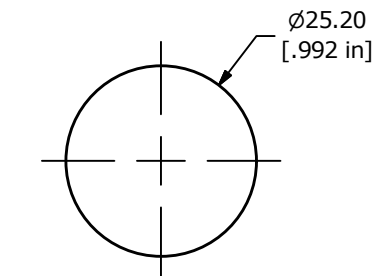
WHITE (REVERSE)

SCHEMATIC

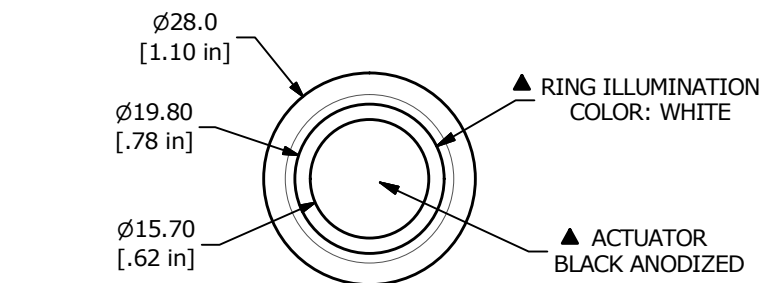
ON - (ON)

SPDT ILLUMINATED

() = MOMENTARY FUNCTION

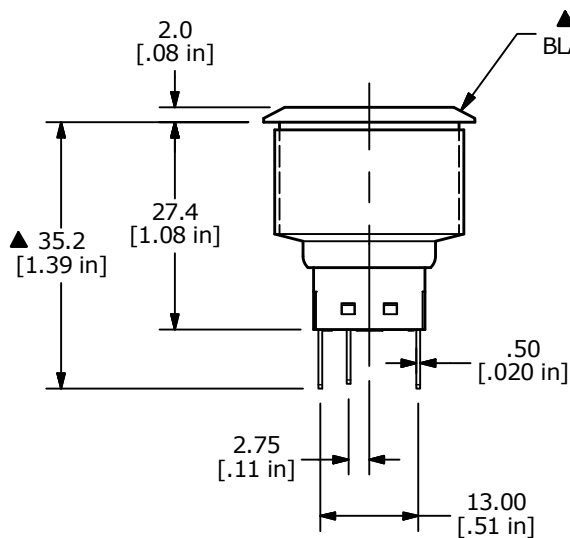


PANEL CUT-OUT
PANEL THICKNESS 1-10mm

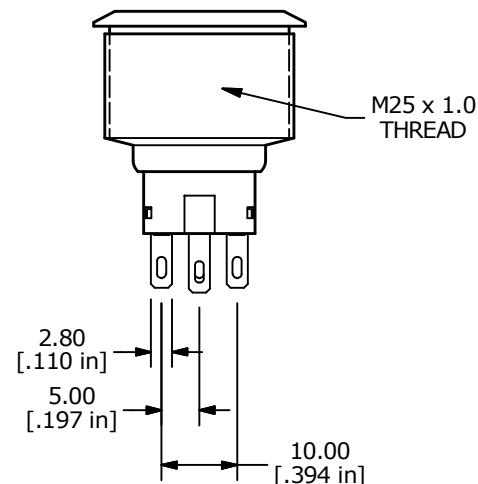


▲ RING ILLUMINATION
COLOR: WHITE

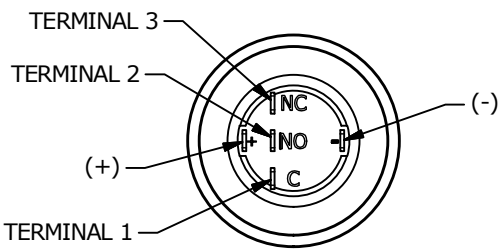
▲ ACTUATOR
BLACK ANODIZED



▲ HOUSING
BLACK ANODIZED



M25 x 1.0
THREAD



NOTE:

1. ALL DIMENSIONS IN MM [INCH]
2. GENERAL TOLERANCE: X.X = ±0.4
X.XX = ±0.25
3. TERMINAL NUMBERS FOR REF ONLY
- ▲ 4. CONTACT MATERIAL: SILVER
5. RATING: 3A 250 VAC cUL
6. ELECTRIC LIFE: 50,000 MAKE-AND-BREAK CYCLES
AT FULL LOAD.
7. MECHANICAL LIFE: 1,000,000 CYCLES.
8. INSULATION RESISTANCE: 1,000 MΩ @ 500VDC MIN.
9. DIELECTRIC STRENGTH: 2,000 VAC MIN. FOR 1 MINUTE
10. CONTACT RESISTANCE: 50mΩ MAX. @ 1A 12VDC
11. OPERATING TEMP.: -20°C to 55°C
12. ▲ DENOTES CRITICAL PARAMETER.
- ▲ 13. LAMP VOLTAGE: 20mA 3V
14. TRAVEL: 3.2mm
15. ACTUATION FORCE: 2.5 ± 1.0 N
16. MOUNTING NUT TORQUE: 5-14 Nm
17. INGRESS PROTECTION: IP67
18. HARDWARE SUPPLIED: O-RING AND HEXNUT



TITLE ULV8F2B11301				
SCALE 1:1	DATE 9/23/2019	DR MW	DWG T980059	REV A

A	24041	RELEASE	9/23/19	MW
REV	PCR NO	DESCRIPTION	DATE	BY

THE INFORMATION CONTAINED IN THIS DOCUMENT IS PROPRIETARY TO E-SWITCH AND IS NOT TO BE COPIED OR TRANSFERRED